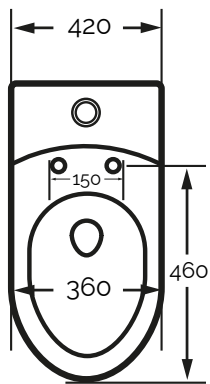
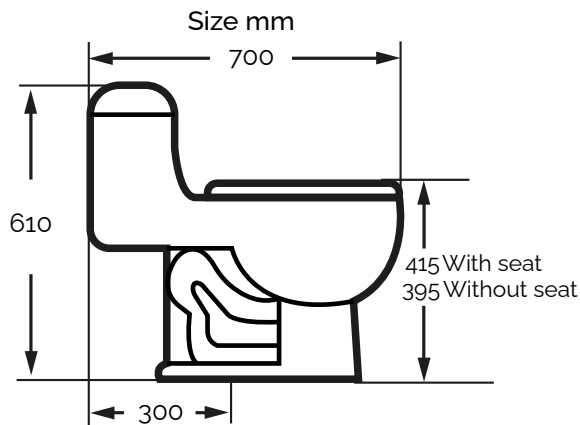




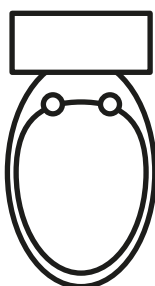
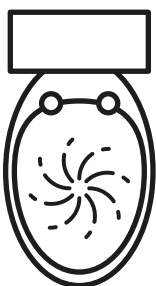
lovex 乐贤卫浴
sanitary ware

TECHNICAL DATASHEET

LX - 2109



MULTI JET FLUSH ELONGATED BOWL



Reference	LX - 2109	LX - 2109 Plus
Versions	Standard	Plus
Description	Siphonic one-piece toilet S-trap,300/250mm Roughing-in	
Size	L700mm W420mm H610mm	
Volume CBM	0,16m ³	
Bowl Height without seat	395mm	
Bowl height with seat (no lid included)	415mm	
Bowl lenght	460mm	
Bowl shape	Elongated	
Flush mechanism	Dual flush tower valve	
Flush Per Liters (FPL)	3,5 lpf half flush 6 lpf for full flush	3,5 lpf half flush 4,8 lpf for full flush
Flush valve size	2"	3"
Water inlet dimensions	28mm	
Siphon Jet	Yes	
Fully glazed siphon	Yes	
Bowl flush type	Multi Jet rim	
Evacuation capacity (grams)	700gr	1000gr
Seat cover	Soft close	
Seat weight	1,05 kg / 1,3 kg / 1,5 kg	
Seat material	PP	
Distance between hinges post holes	150 mm	
Water seal	18X12,3X6,5 cm (+/- 1.5 cm)	
Certifications	c-UPC Water Sense	
Included components	Tank fittings and seat cover, rubber flange and screws	

Dual Flush Button
3,5 lpf half flush

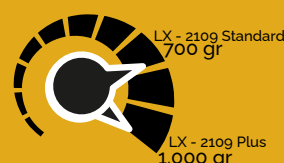


4,8 / 6 lpf for full flush

Slow-Close Toilet Seat



Flush Power



Sizes are nominal and subject to be changed without prior notice. - Set configuration may vary depending on actual client negotiation and requirement.