



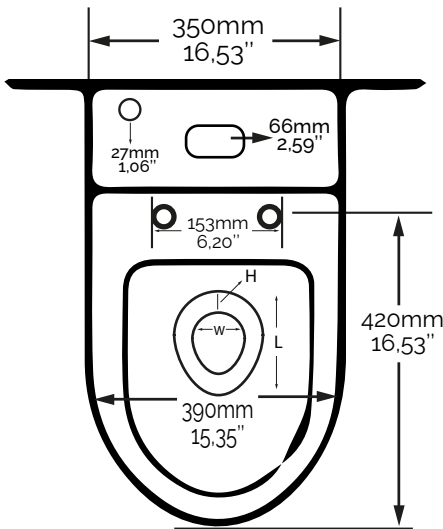
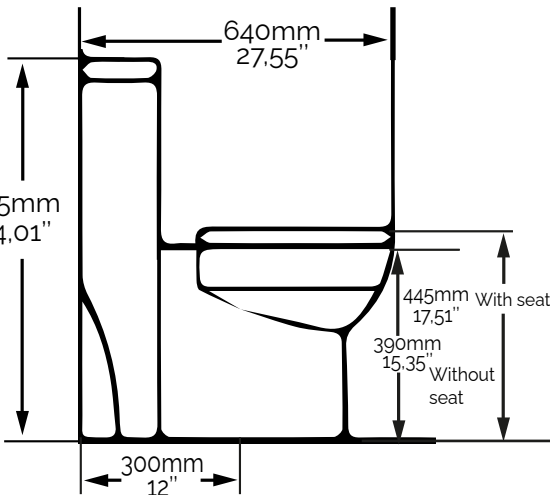
lovex 乐贤卫浴
sanitary ware

TECHNICAL DATASHEET

LX - 2090



Size



ELONGATED BOWL

VORTEX



Dual Flush Button
3 lpf / 0.7 gpf half flush



6 lpf / 1.5 gpf for full flush

Slow-Close Toilet Seat



Flush Power



LX - 2090
800 gr

| | |
|---|---|
| Reference | LX - 2090 |
| Versions | - |
| Description | Siphonic One-piece Toilet S-Trap, 300/400mm Roughing-in |
| Size | L 640mm 25.19" W 350mm 13.77" H 745mm 29.33" |
| Volume CBM | 0,16m ³ |
| Bowl Height without seat | 390mm 15,35" |
| Bowl height with seat (no lid included) | 445mm 17,51" |
| Bowl length | 420mm 16,53" |
| Bowl shape | Elongated |
| Bowl width | 390mm 15,35" |
| Flush mechanism | Dual flush tower |
| Flush Per Liters (FPL) | 3 lpf / 0.7 gpf half flush & 6 lpf / 1.5 gpf for full flush |
| Flush valve size | 2" |
| Tank inlet / outlet size | 27mm 1,06" / 66mm 2,59" |
| Siphon Jet | Yes |
| Fully glazed siphon | Yes |
| Bowl flush type | Vortex |
| Evacuation capacity (grams) | 800gr |
| Water seal size | H: 53mm 2,08" / L: 130mm 5,11" / W: 110mm 4,33" +/- 15mm |
| Drainage Inner / Outer size | 50mm 1,96" / 80mm 3,14" |
| Seat cover | Soft close |
| Seat weight | 1,25 Kg |
| Seat material | PP |
| Distance between hinges post holes | 153 mm 6,20" |
| Certifications | - |
| Include components | Tank fittings and seat cover, rubber flange and screws |

Sizes are nominal and subject to be changed without prior notice. - Set configuration may vary depending on actual client negotiation and requirement.

Website: www.cn-lovex.com

Contact: Sales@cn-lovex.com